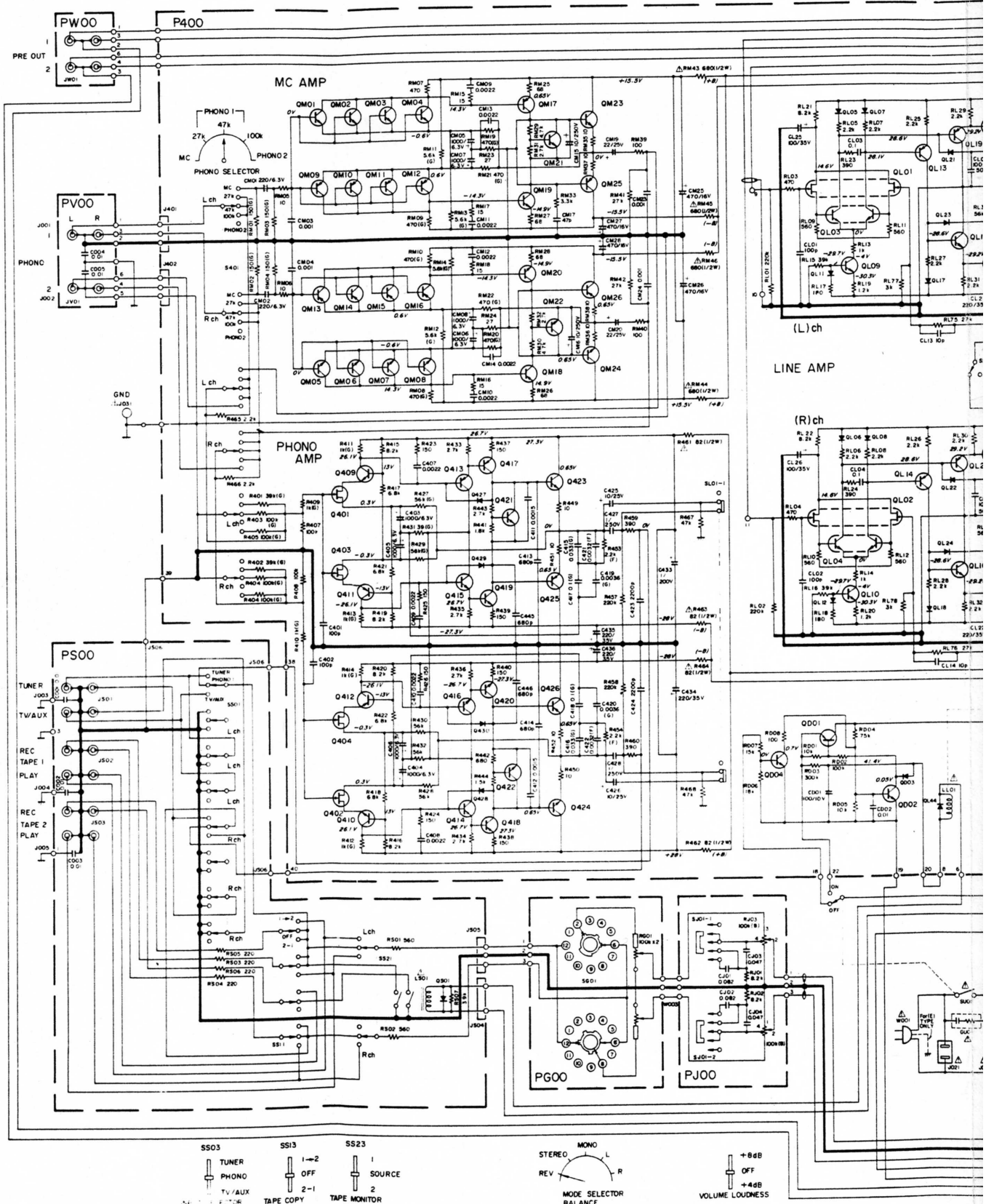


Q401, Q402 2SK151F or G	Q403, Q404 2SJ151F or G	Q409, Q410, Q415, Q416 2SC2240BL	Q411 ~ Q414 2SA970BL	Q417, Q418 2SA872A, D or E	Q419, Q420 2SC1775A, D or E	Q421, Q422 2SC2320E or F	Q423, Q424 2SC2591Q or R	Q425, Q426 2SA1111Q or R	Q427 ~ Q430 1S1555	QLO1, QLO2 M47F	QLO3, QLO4 2SC2259	
QM01 ~ QM08 2SC2545E	QM09 ~ QM16 2SA1083E	QM17, QM18 2SA872A, D or E	QM19, QM20 2SC1775A, D or E	QM21, QM22 2SC2320E or F	QM23, QM24 2S0666C	QM25, QM26 2SB646C	QD01 2SA10150 or Y	QD02, QD03 2SC2320E or F	QD04 1S1555	QE01, QE02 2SC2240GR	QE03, QE04 2SA970GR	QE05 1SA8

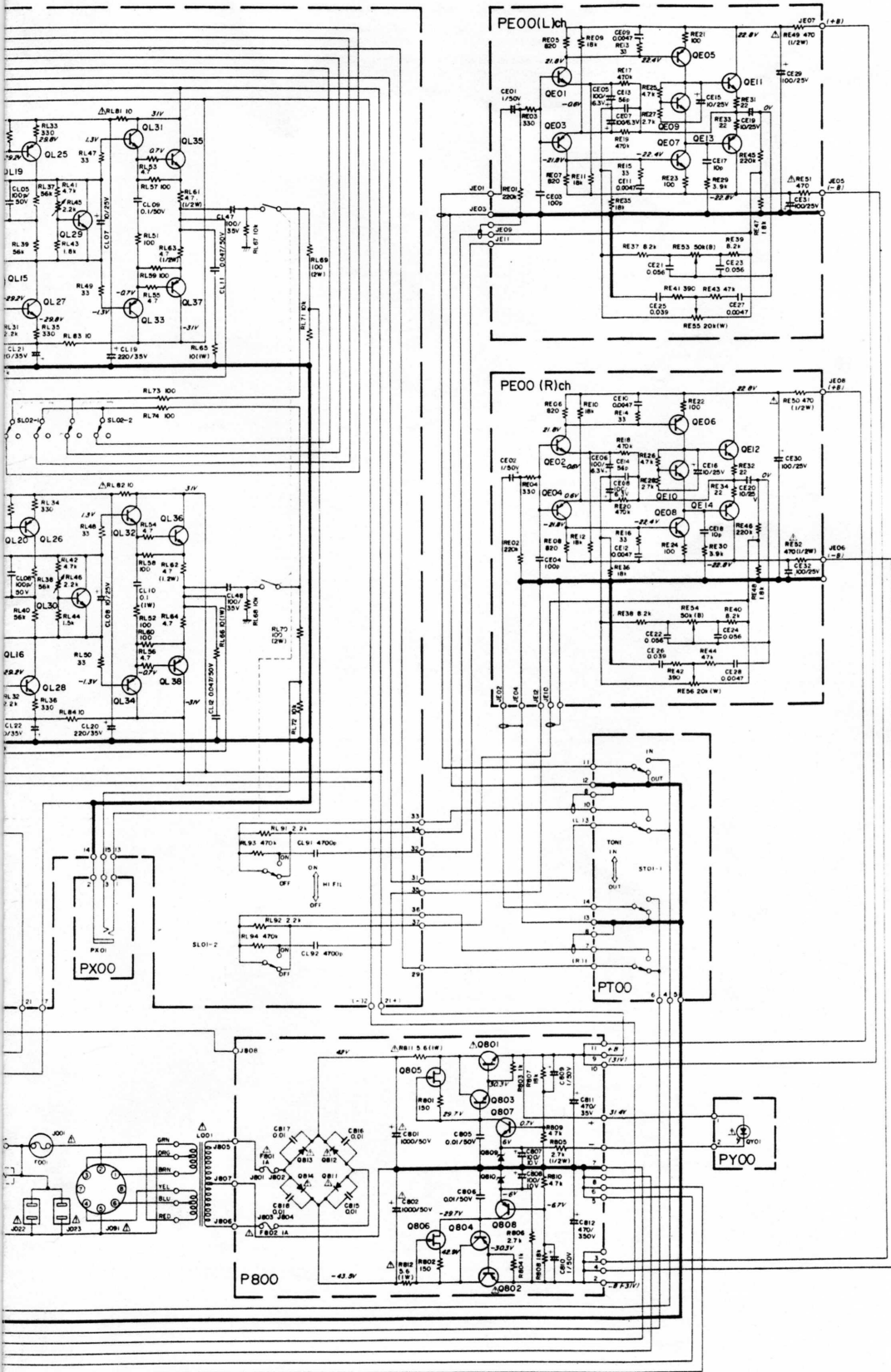


Note on safety: The parts marked with  $\Delta$  are important parts on the safety. Please use the parts having the designated parts number without fail.

Components and wiring are subject to change

# ATIC DIAGRAM FOR MODEL Sc-6

QL04 IS1555	QL05~QL08, QL11, QL12 QL17, QL18, QL21~QL24	QL09, QL10, QL15 QL16, QL27, QL28 25C1775A, D or E	QL13, QL14, QL19 QL20, QL25, QL26 25A872A, D or E	QL29, QL30 25C2320E or F	QL31, QL32 25D666C	QL33, QL34 25B646C	QL35, QL36 25C2991Q or R	QL37, QL38 25A1111Q or R	QL39~QL42 W06B			
OE05, OE06 25A872A, D or E	OE07, OE08 25C1775A, D or E	OE09, OE10 25C2320E or F	OE11, OE12 25D666C	OE13, OE14 25B646C	OE01 25C2991Q or R	OE02 25A1111Q or R	OE03 25C2240GR or BL	OE05, OE06 25K30Y	OE07 25C1775A, D or E	OE08 25A872A, D or E	OE09, OE10 H26B1L	OE11~OE14 DS135D



for modification without notice.